

---

---

# MODIFICATION

---

---

**PROBLEM:**

When the headphones are plugged in the subwoofer is not muting.

---

**CAUSE:**

Mute line on subwoofer does not activate when the headphones are plugged in.

---

**SOLUTION:**

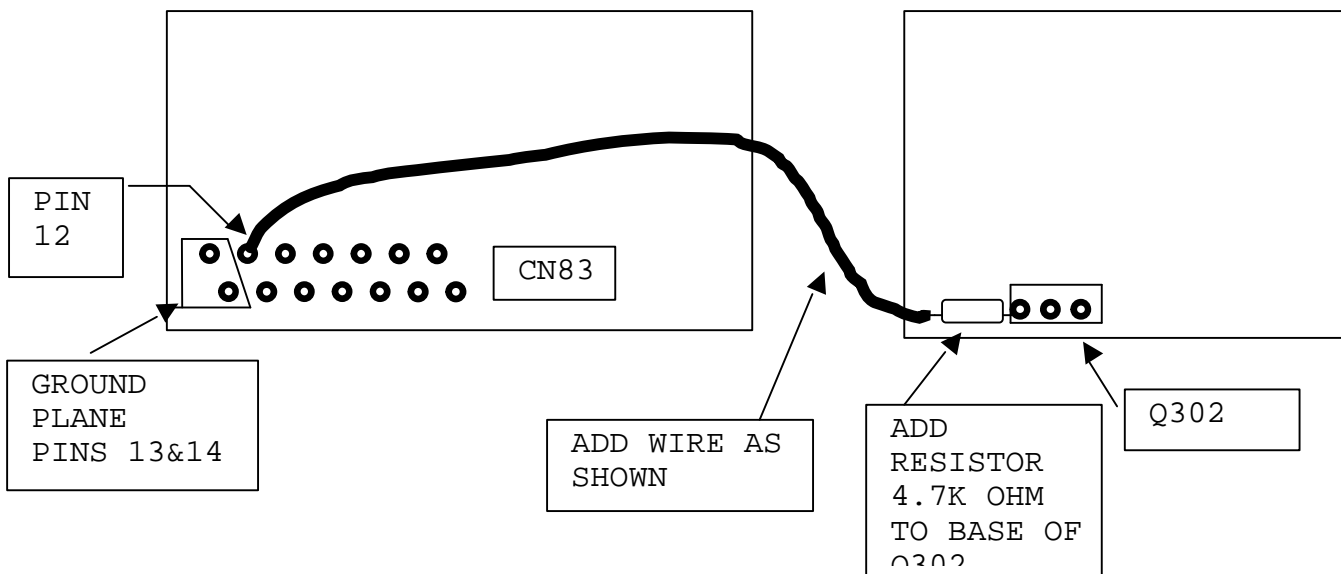
The headphones, On line(h/p on) from the control (front panel) board can be connected via a wire and a 4.7k ohm resistor to the base of Q302 on the surround pc board. See diagram 1 ,2 and 3. Glue resistor to surround pc board after to prevent wire and resistor from moving.

---

*Diagram 1*

L75 FRONT PANEL PC BOARD (PARTIAL REAR VIEW)

L75 SURROUND PC BOARD (PARTIAL REAR VIEW)



**NAD**

# *Service Information L75*

---

---

## **Circuit Change**

---

---

***PROBLEM:*** *Transformer buzzes.*

---

***CAUSE:*** *Transformer's core is causing hum and is transferred to the chassis.*

---

***SOLUTION:*** *Replace transformer with new low hum type. Install rubber padding on under side of transformer.*

---

### ***PRODUCTION:***

This change has been implemented in production from serial number:A14L7502001

---

### **Contact:**

**NAD Electronics International**  
**633 Granite Court**  
**Pickering, ON Canada L1K 3K1**  
**Voice: 905-831-0799 FAX 905-837-6357**  
**NAD@www.NADelectronics.com**